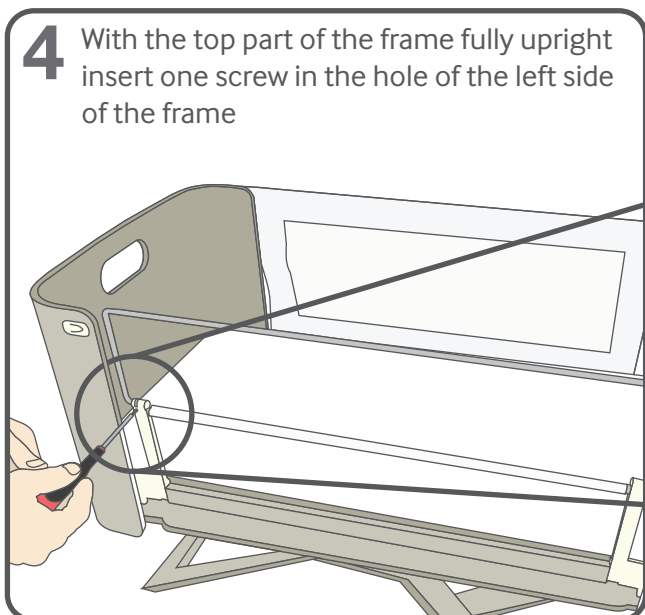
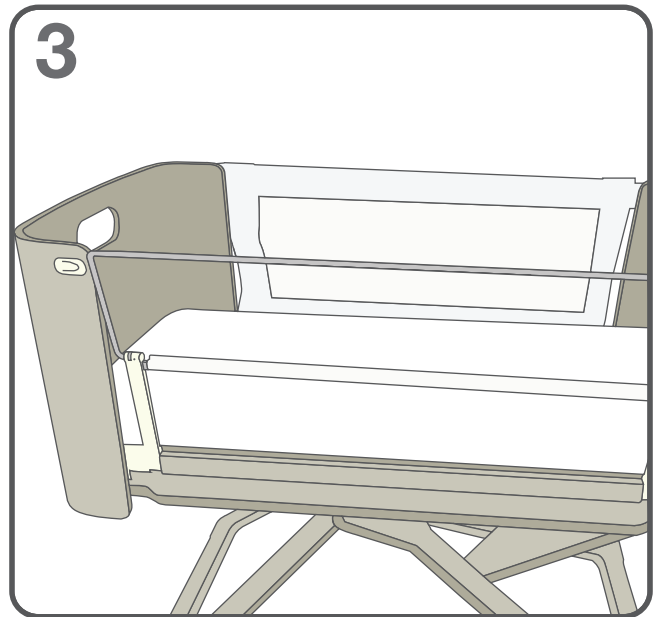
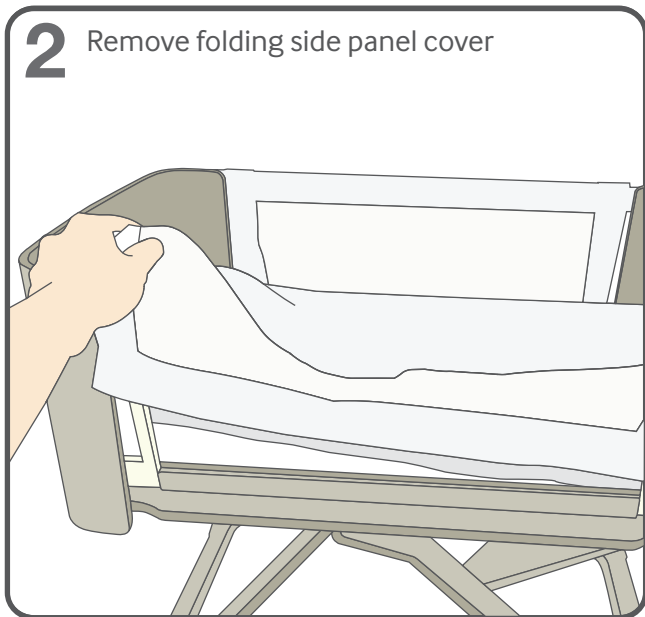
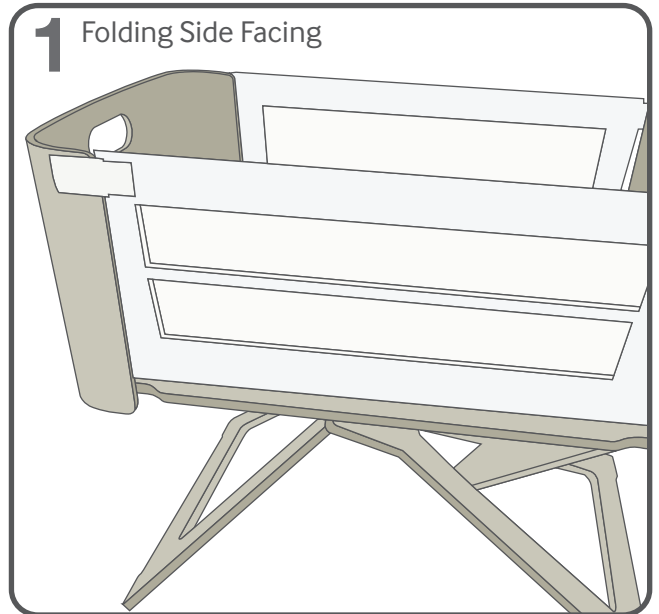
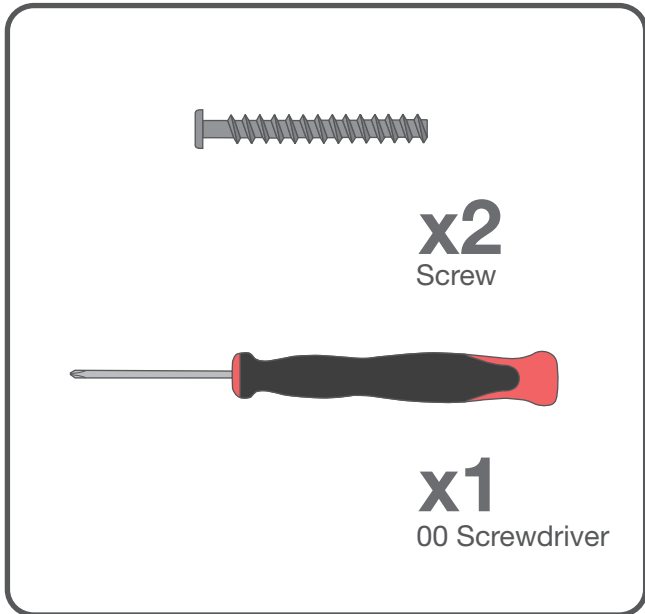


WARNING: KEEP SMALL PARTS AWAY FROM CHILDREN
Only apply this modification when the baby is not in the crib

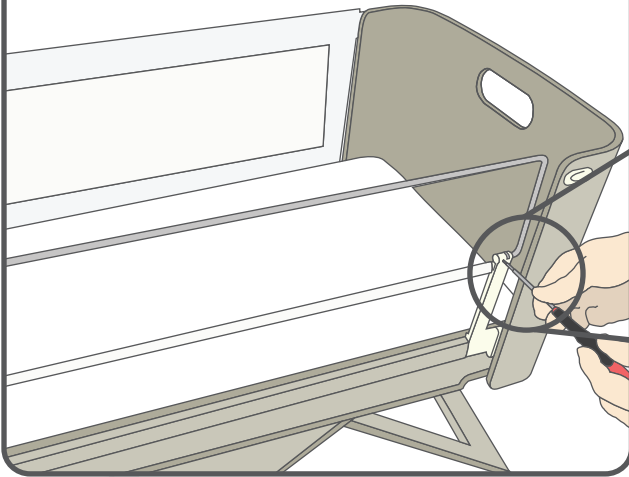


INSTRUCTIONS

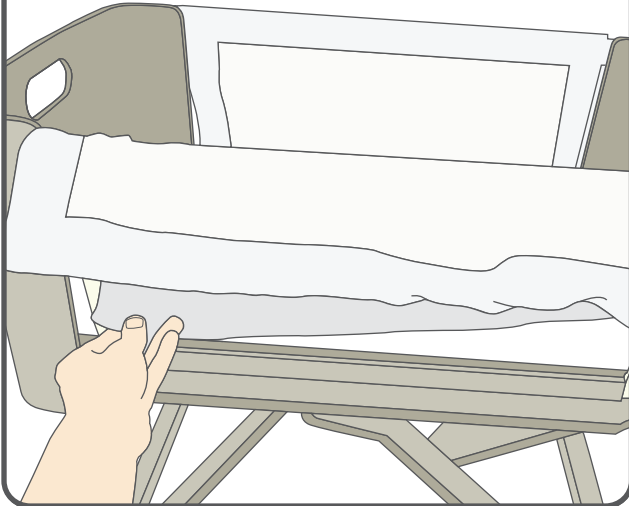
Modification for securing the folding side panel of the Bednest and NCT Bednest



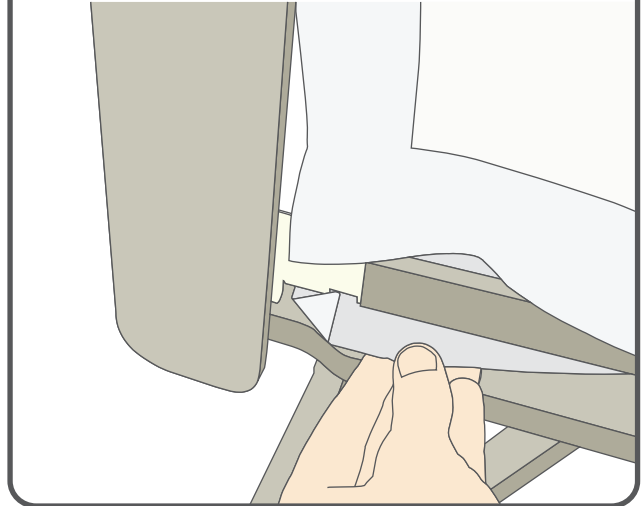
5 With the top part of the frame fully upright insert one screw in the hole of the right side of the frame



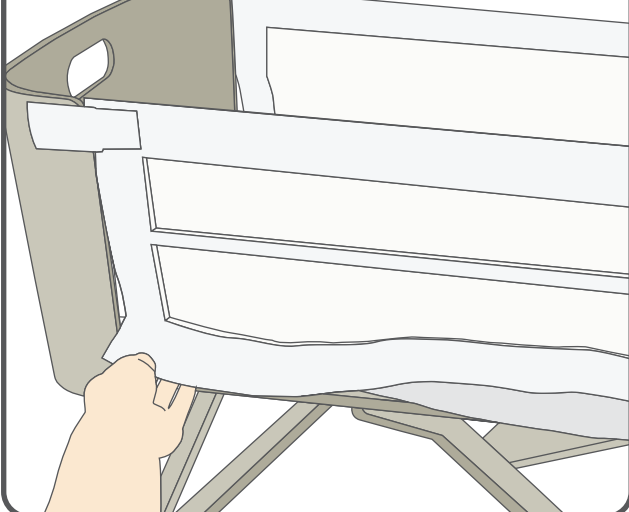
6 Check the side is now unable to fold in half and replace cover



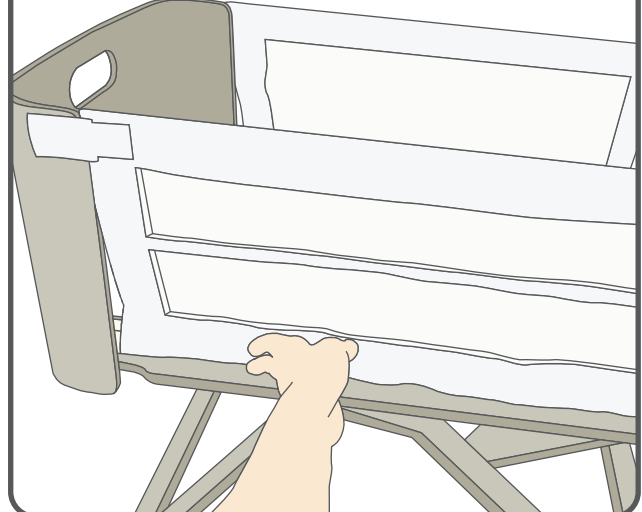
7 Ensure cover is pulled through under bar



8 Ensure Velcro is turned back on itself



9 Securely Re-Attach Velcro



If you don't use the crib for a while after this modification, check the screws are still fully in place.

Download the latest user guide from our website: www.bednest.com